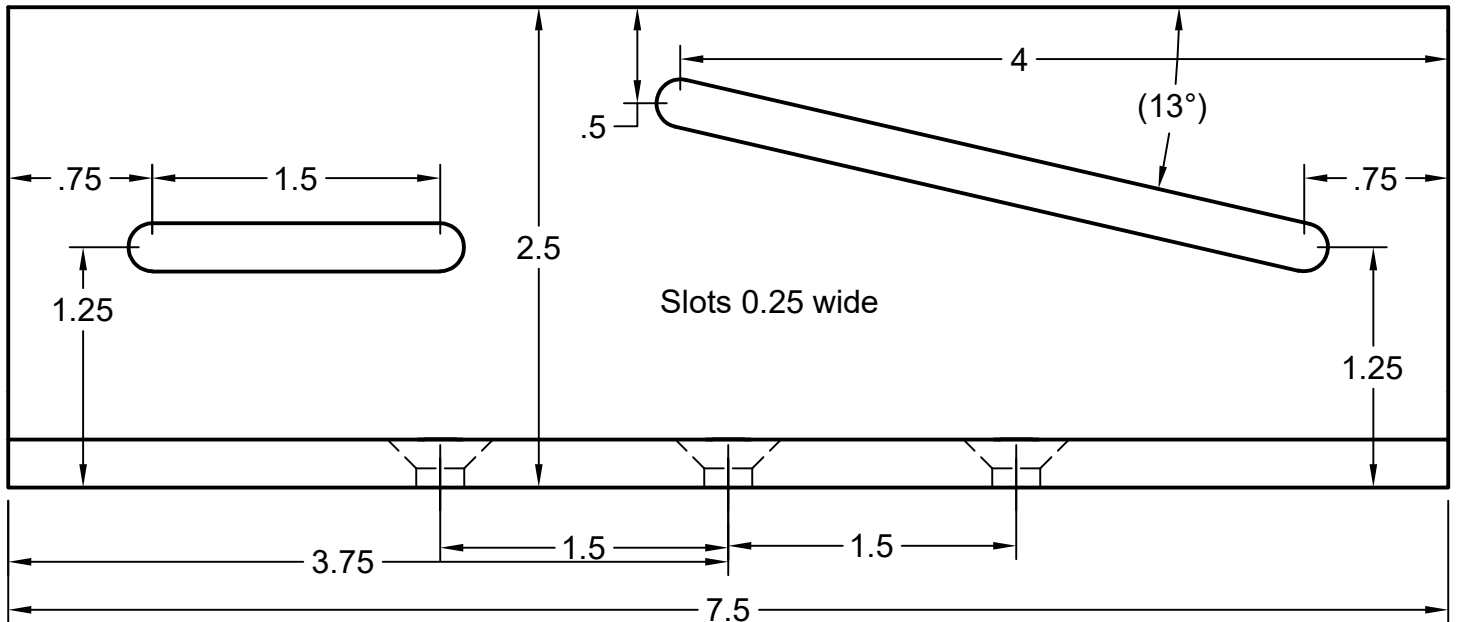


For left-right pair of brackets, make one mirror-image



TITLE

# Rotatable Bracket for 1545 Extrusion

DRAWN Jay Mcclellan 7/6/2023 SCALE 1:1

SHEET 1/1

REV 1.0